

Measuring Device IsoGuard



**Isolation measuring instrument for the monitoring
of the insulation resistance of devices
or combinations of units**

- ☑ acoustic signalisation of limit exceeding
- ☑ optical signalisation of limit exceeding
- ☑ operating indicator light
- ☑ test key for function control

Test and measurement technic
for medicine and industry



S.P.L.
Elektronik

Technical Data

The IsoGuard was developed in accordance to specifications of DIN VDE 0107 for the limit monitoring of insulating resistance:

- internal resistance > 100 kOhm
- switching threshold > 50 kOhm
- green working indicating lamp
- yellow indicating lamp to signalize overrange of limit value
- acoustic signalling of overrange of limit value
- test key for functional test

Technical data:

- nominal voltage 230 V
- frequency 50/60 Hz
- nominal power 0,5VA
- protection class IP20

Description of function:

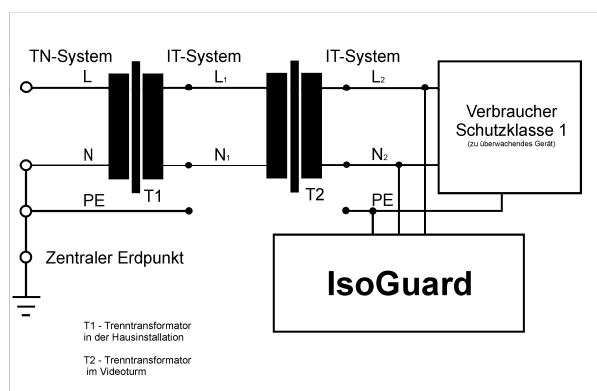


fig. 1



By its practical plug housing the IsoGuard can be integrated very easy and problem-free into an existing installation (see fig. 1). For instance, it can be used for the monitoring of video towers in operating rooms, if these are attached for protection to an additional insulating transformer. These video towers can be completed by setting the IsoGuard parallel into an existing earthing contact switch board.

Warning:

The IsoGuard may not be used parallel to a second isolation monitoring of IT systems.

The equipment should be protected against humidity and wetness.

(Technical modifications and errors reserved. 07/2017)